

Charm/Coldfusion DSP chip - Alpha(α) 4.3 version

(The moderm of quiton/perceptron physics.)

(E-commerce and social media innovation)

Interpreting communication, navigation and language in the 3D world. The buzzword I definitely recommend to you is cross lateral reflexive thinking multi-dimensional space wise and sol-i-ton~sol-u-tion→ Δt which is called the Cantillation. This very much enables the development of quantum gravitation within the respected system. You can, indeed, gain information from off the air (ether) by listening to your own or others voice intonation by cantillating by its sound intonation.

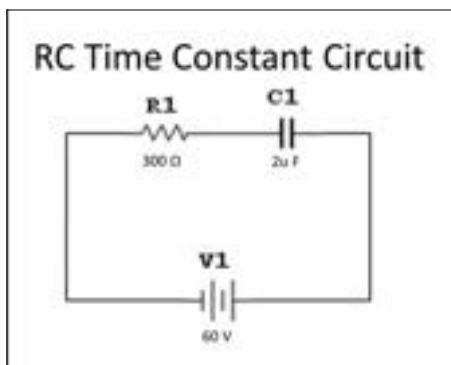
The pronunciation/resonance of the words. This is very similar to lower and upper harmonics and technology also used in multi layer sound mapping(mp3) for compression or applied by a philharmonic orchestra for example. You will be a guru of the field. Some more examples of solitons (also called as solitude or solitary wave, circles [Ref: <http://en.wikipedia.org/wiki/Soliton>] on the pronunciation:

- boing ~ Boeing (not the same)
- Zoli ~ soli (as in solarium, Sun bathing)



sol-i-ton~sol-u-tion→ $\Delta \tau$ (RC/Tau time constant/derivative of resonance)

Hence, if we talk about the Coulomb charge field as electric current flowing in the aether. Then resistance, voltage and capacitive parameters can be calculated the same way, as in circuit electricity. Hence, traditional electricity formulas can be applied in the electric sea of Coulomb charge field with resistance, voltage etc in it. See also string theory, worm holes and capacitive coupling, radio homotopy of objects. Quantum neuron circuit of the ministry of the ether. Which in turn, determines the level of material virtual state in nuclear sub-atomic; physics term. A plasma watch of nuclear space.



$\tau = RC$ where

τ = Tau, RC time constant in seconds

R = Resistance, in Ohms Ω

C = Capacitance in Farads **F**

$e = 2.7182$ (natural base constant)

Hence, e and τ constants determine the effectiveness of such circuit. Please bear in mind that more sensitive sub-atomic particles, mesons, quarks can further increase the effectiveness of such resonant differential circuit. Similar to sonar and radar technology. See also radio homotopy, shape mapping of closed radio soliton circles under degree separation of four. XYZ and a determinant O(origo) in a 3D isotopic space of reference system.

Ref: <https://en.wikipedia.org/wiki/Homotopy>

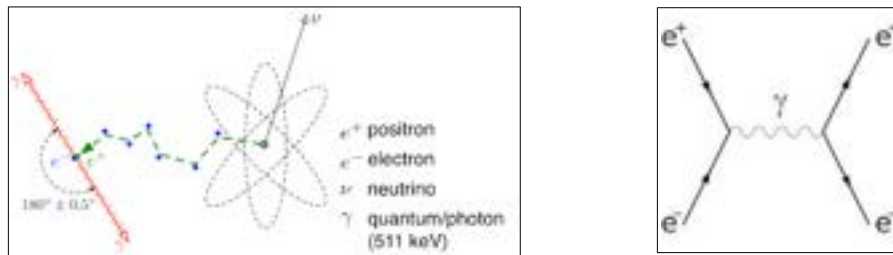
Emulation of reality and AI. Circle(canto) of Hell and Ministry of the ether are not comparable to each other. But if you use AI and emulate the knowledge state, then you have life and death

scenario of self manifestation in real world. Hence, camouflage of self existence. This coding/decoding of information in the ether works also for any type of information/media in the ether. Meaning that chemical or any kind of physical, spiritual entity can resonate that indeed shall be beared in mind. The intermediate stages of this process occur in less than almost a billionth of a billionth of a second, and are not observable.

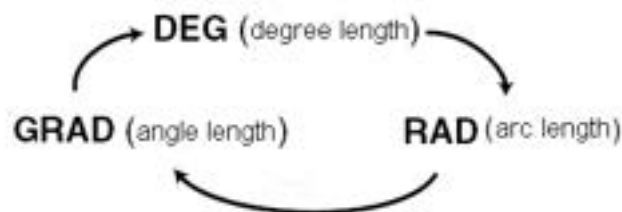
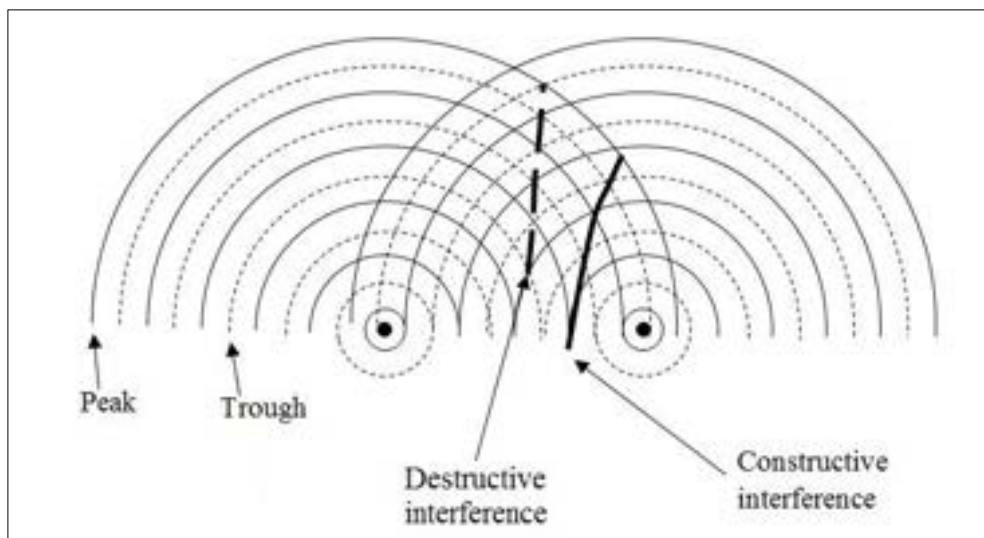
[Ref: <http://pdg.web.cern.ch/pdg/cpep/eedd.html>]

So, are we talking with God by using the described sampling DSP technique? Yes we are, this document describes a perceptual communication protocol of the ether, Columb charge field around us in an explicit way.

As a practical use. Could we use optical (photon) and neutrino (hybrid) interferometry for mapping high resolution solution spaces in the isopotic 3D ether?



Please note the torque force/events in time/space that this creates and its influence in practice. As per Kw in car's engines or microwave torsional power transmission as in transformers, flux converters also applying Lorentz force basically. For example, if the assumption you think, say or do (events) was true, then something will happen, meaning that what you have said, thought, did or happen was actually true indeed. → So the equation (flux gate) dropped, got vaporized. Personal relationships, the economy and order must be beared in mind obviously.



- On quantum teleportation and diabolic practices:
https://www.youtube.com/watch?v=_qmSdC7aQpY

- Lorentz force:
https://en.wikipedia.org/wiki/Lorentz_force

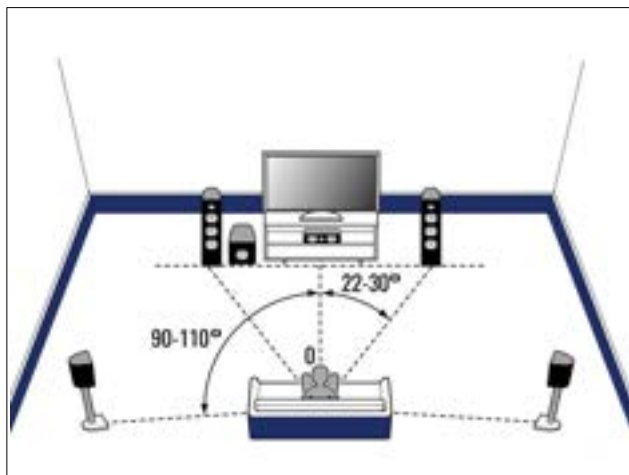
- Full article on mesons:
<http://pdg.web.cern.ch/pdg/cpep/eedd.html>

- Modem (modulator/demodulator):
<https://en.wikipedia.org/wiki/Modem>

- Fume polarization (electro-chemistry) demonstration WMH (matter/life, plotting the wave spectrum in 3D) waves: <http://www.youtube.com/watch?v=Jz-7Di2s4yY>



- These effects (WMH) are generally referred to as fume in the 3D computer graphics world.
- Adiabatic process http://en.wikipedia.org/wiki/Adiabatic_process
- Communication <https://en.wikipedia.org/wiki/Communication>
- Electromagnetic vortexes and environmental compatibility <http://www.meyl.eu/>



Basically, what we are talking about is, that if we reflect „received” and sensed information in a 3D space, then we can achieve absolute information content of a given 3D field in our environment around us. Why is this? If we mirror (negate) the information that we receive in our environment around us, then we will have the absolute information content, that in turn can be used to make any other decision or reply. Meaning, that the person or „processor”, modem in charge of receiving the information in the given 3D space is in full command of the information that it has

received, perceived or sensed. As such, you can use this 3D reflective cantillation technique as an interpreter to emulate artificial intelligence basically, meaning, self created intelligence from an absolute knowledge set received in a given 3D field in your environment around you.

More on WMH (matter/life) waves (electrochemical composition of matter based on torsional resonance, string theory/kymatica) can be found at:

- Electrochemistry, <https://en.wikipedia.org/wiki/Electrochemistry>
- Metabolism, <https://en.wikipedia.org/wiki/Metabolism>
- Metaphysics, <https://en.wikipedia.org/wiki/Metaphysics>



Due to your voice and presence interacts and being re-actively active in the 3D ether (Coulomb charge field) in which we exist. You can not just make your life better by Feng shui like order around you that will make these electrochemically active electromagnetic waves (like a battery or power converter) converge the way you want, but also actively command them. Ever wondered about those “abracadabra” magic words in cartoons and ancient sci-fi movies? Or talking to flowers and plants?

You can also try saying this out loud or whispering as if you were praying: “Whorl calibration per spins, X-es, RFID per democracy.” This way, you set your own consciousness as well as the 3D field with which you interact and exist in. This also means, that you can say that you want to be “released from evil” as if you were praying indeed. So magic words and praying does work indeed! Movies are not made up from nothing indeed either. Who would buy into message-less empty trash? No one!

Supplementary research notes on metaphysics and intelligence: This document was partly prepared based on practical knowledge in the following scientific publication:

- Quiton/perceptron physics by U.S. Army materiel command.

There is scientific evidence that the vacuum (ether) has electromagnetic permeability. This means that the ether acts as a capacitor and stores charges as well as magnetic components. Now, this works similar to how matter levitates in pure water. In radio science means, that sea of pure Coulomb charge acts as a flow of pure radio field as matter would float in pure water. As such, everything that can be differentiated from this sea of pure Coulomb charge radio field basically acts as a magnetic component. These magnetic components close in under some degree that compile into information/transverse magnetic components basically. What matters in real life processes is change. Hence we are always looking for a “shift” for differentiation/derivation.



This differentiation/derivation, then tell us what basically matters. Hence, in existence, truth is judged by difference eternally. Now, with this document, the reader can differentiate, and hence interpret these radio signal feedback in the ether. The author refers to such differentiation technique as cantillation. In ancient scientific jargon, also called the Greek of the ether. In electronics, this means that an electromagnetic field is sampled by its longitudinal and transverse components. By longitudinal, we mean scalar or numerical, meaning that there are no transverse/magnetic components in the examined electromagnetic field. This can be a room, radar network or a Faraday cage etc. This radio field has flux. These magnetic components are generally referred to as flux in electromagnetism and radio engineering. Hence the Tau or RC time constant of this electromagnetic



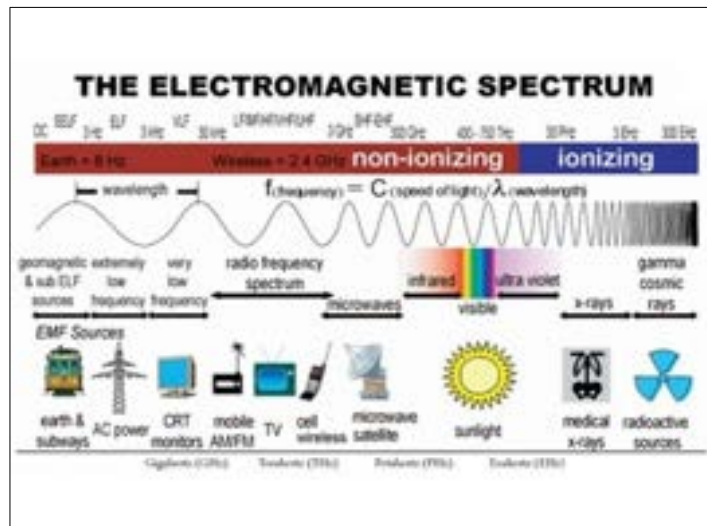
flux field tells the effective difference between real/longitudinal and magnetic or noise components. Hence, you can also say that the ether works only 36.8% in regards to electromagnetic fields containing electron, proton or neutron particles. Obviously, the concern of higher degree effectiveness and other aspects come into question as the presence of other particles, quarks, mesons are put into real/longitudinal numeric per magnetic/transverse noise equation too! Ultimately, the interpretation

mechanism is a “what is real”/”how to go forward” system in which evolutionary and guided rules apply. Hence, this becomes a question of relative numeric calculation of time/space echoes and interpretation.

$e=2.7182$ (Natural base constant)

$1/e \approx 36.8\%$

$1-1/e \approx 63.2\%$



Technical note: Please bear in mind that such electric RLC circuit can have neurophysiological effects! Ref: <https://www.who.int/peh-emf>

- Electromagnetic flux
https://en.wikipedia.org/wiki/Magnetic_flux
- Electromagnetic permeability
https://en.wikipedia.org/wiki/Permeability_%28electromagnetism%29
- Tau/RC time constant
https://en.wikipedia.org/wiki/RC_time_constant
- Particle physics at CERN
<https://home.cern/about/physics>

VII. TABLE OF FORMULA SYMBOLS			
Electric field		Magnetic field	
E	V/m	H	A/m
	Electric field strength		Magnetic field strength
D	As/m ²	B	Vs/m ²
	Electric displacement		flux density
U	V	I	A
	Tension voltage		Current
b	V/m ²	j	A/m ²
	potential density		Current density
ε	As/Vm	μ	Vs/Am
	Dielectricity		Permeability
Q	As	φ	Vs
	Charge		Magnetic flux
e	As	m	kg
	Elementary charge		Mass
τ₂	s	τ₁	s
	Relaxation time constant of the potential vortices		Relaxation time constant of the eddy currents
other symbols and Definitions:			
Specific electric conductivity	σ	Vm/A	
Electric space charge density	ρ_d	As/m ³	
Dielectricity	ε	= ε _r · ε ₀	As/Vm
Permeability	μ	= μ _r · μ ₀	Vs/Am
Speed of light	c	= 1/√ε · μ	m/s
Speed of light in a vacuum	c₀	= 1/√ε ₀ · μ ₀	m/s
Time constant of eddy currents	τ₁	= ε/σ	s
Concerning vector analysis: Bold print = field pointer			

People:

- Dr. Christian Monstein: Radio astronomy
<https://ipa.phys.ethz.ch/people/person-detail.ODYxNjI=.TGldzC82NjQsNTkxMDczNDQw.html>
- Prof. Konstantin Meyl: RFID, electromagnetic environmental compatibility
<http://www.meyl.eu/>
- Mr. Zoltan Papp: Heavy industrial automation, RFID, symbiosis
<https://www.linkedin.com/in/zoltanp/>

A few related institutions:

- Artificial Intelligence Applications Institute at the School of Informatics, The University of Edinburgh, <http://www.aiai.ed.ac.uk/>

A few potential companies

- Boeing Corporation
<http://www.boeing.com/>
- Creative Technology Ltd.
<https://en.creative.com/>
- Hasbro Corporation
<https://shop.hasbro.com/en-us/scrabble-words>
- ORION Electronics Ltd
<http://www.orionelec.com/>
- Investment and venture capital
<https://www.majuven.com/>
- Hitachi Corporation
<https://www.hitachi.com/>
- High-tech and alternative technologies
<http://www.oceanexplorer.se/>
<https://peswiki.com/>
<http://www.section51-ufo.com/>
<https://www.facebook.com/ThirdphaseofmoonBlakeCousins/>
<http://telfor.rs/>
- Huawei Corporation
<https://www.huawei.com/>
- Vehicle manufacturers
<https://www.acura.com/>
<https://www.armored-cars.com/>
<https://www.lada.ru/>

Keywords:

Communication, modems, signals, echoes, telegrams, interpreters, DSP, filters, electro-chemistry, accumulators, batteries, solitons, standing wave, polarization, chemistry, Adiabatic processes, material composition, Spanish-flu, fusion, convergence, carrier waves, Voynich-code, Enigma disc based coding, metaphysics, energetics, resonance, Egyptian Hieroglyphs, word games, puzzles, demons, drones, Matrix movie.

NOTES FOR THE VISUALLY IMPAIRED READERS

This document was prepared based on scientific publications. The best way to “approach” visually impaired concerns of vision/sense is the border field between the already treatable parts of our body and parts that this document employs. Such remedial experiment of vision/sense is encouraged to be carried out by professional and recognized supervision.
Ref:

- International Atomic Energy Agency
<https://www.iaea.org/>
- Electronic pest control
https://en.wikipedia.org/wiki/Electronic_pest_control

DISCLAIMER

Please note that the above text is provided 'AS IS'. The above text's purpose is educational and shall not be misunderstood. The author made its best effort in the preparation of the above text to be a concise and informative text and to be easily understood. Copying, publishing, or distributing of the pocketFIT and FIT book material without expressed written explicit permission by the author is prohibited.

ATTRIBUTION

Copyright © 2004-2024 by Mr. Zoltán Papp. All rights reserved. Both the pocketFIT and FIT book publication must be attributed to Mr. Zoltán Papp under pointed copyright and publishing laws by the author. This work is licensed under a Creative Commons Attribution-Noncommercial 2.0 Generic License. Copyright © 2004-2024 by Mr. Zoltán Papp. All rights reserved.

COPYRIGHT NOTICES

- The Quiton/perceptron physics scientific publication is copyright © by the U.S. Army materiel command.
- Doom[®] is a registered trademark of id Software LLC corporation.
Ref: <https://www.idsoftware.com/>
- Boeing[®] is a registered trademark of Boeing Corporation. Ref: <http://www.boeing.com/>
- The Demon/Charm DSP chip paper is copyright © 2004-2024 by Mr. Zoltán Papp (Author of pocketFIT)
Web: <https://www.linkedin.com/in/zoltanp/>, <https://zoltanpdesign.wordpress.com/>